



VSI6S vertical shaft impact crusher

Reach new height with KEFID

- Crushing efficiency increased by 20%
- Adopting the advanced 4-way discharging design
- Increasing the rotor life more than 30-200%
- Rock on rock working principle





As China's largest crushing plant, mill equipments and beneficiation plants production base, kefid has exported large quantities and high-end mobile crushing plant and milling equipments to Russia, Kazakhstan, Indonesia, Ecuador, South Africa, Nigeria, Turkey more than 100 countries and regions and have solved about thousands of and beneficiation projects all over the world, which has made tremendous contributions to the local construction, mining industry and developments.

Obedience to the idea to improve and develop equipment sand making rate, extend spare part working life, to fulfill the need of sand market production large-scale and centralization, government request to environment and off-take potential, our company keen on research for decades and release the very kind of high efficiency sand making and crushing equipment, which we own fully core intellectual property rights and multiple national patent.



VSI6S vertical shaft impact crusher help the sand plant fulfill scale expansion and centralized production

1. The rotor adopts the advanced 4-way discharging design to improve the passing capacity; The crushing ratio increases more than 20%, compared with the 3-way old type.



2. To optimize the rotor structure and manufacturing technology, it increases the rotor life more than 30-200%, compared with the old type.

3. The transmission part adopts the special sealing design to avoid the oil-leaking of the bearings tube; 3 national patents.



4. The bearings imported from German/USA reduce the malfunction of transmission system.

5. Special crane device design, easy to maintenance.

6. Rock on rock working principle. Reduce the wear parts and maintenance cost.





Fine crushing and screening mobile station-**vertical shaft impact crusher mobile station**

MAIN FEATURE

Equipped with vertical shaft impact crusher that of large crushing ratio, excellent output shape.

Adaptive host switching equipment, to meet the personalized needs of customers.

Easy and flexible to park, get into the work mode quickly.

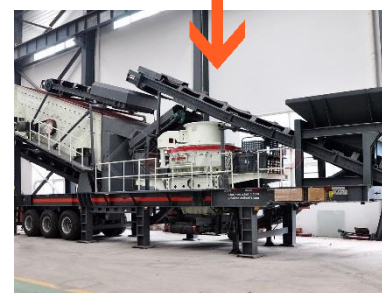
With screening unit and crushing unit exchange system, the body can be reused.

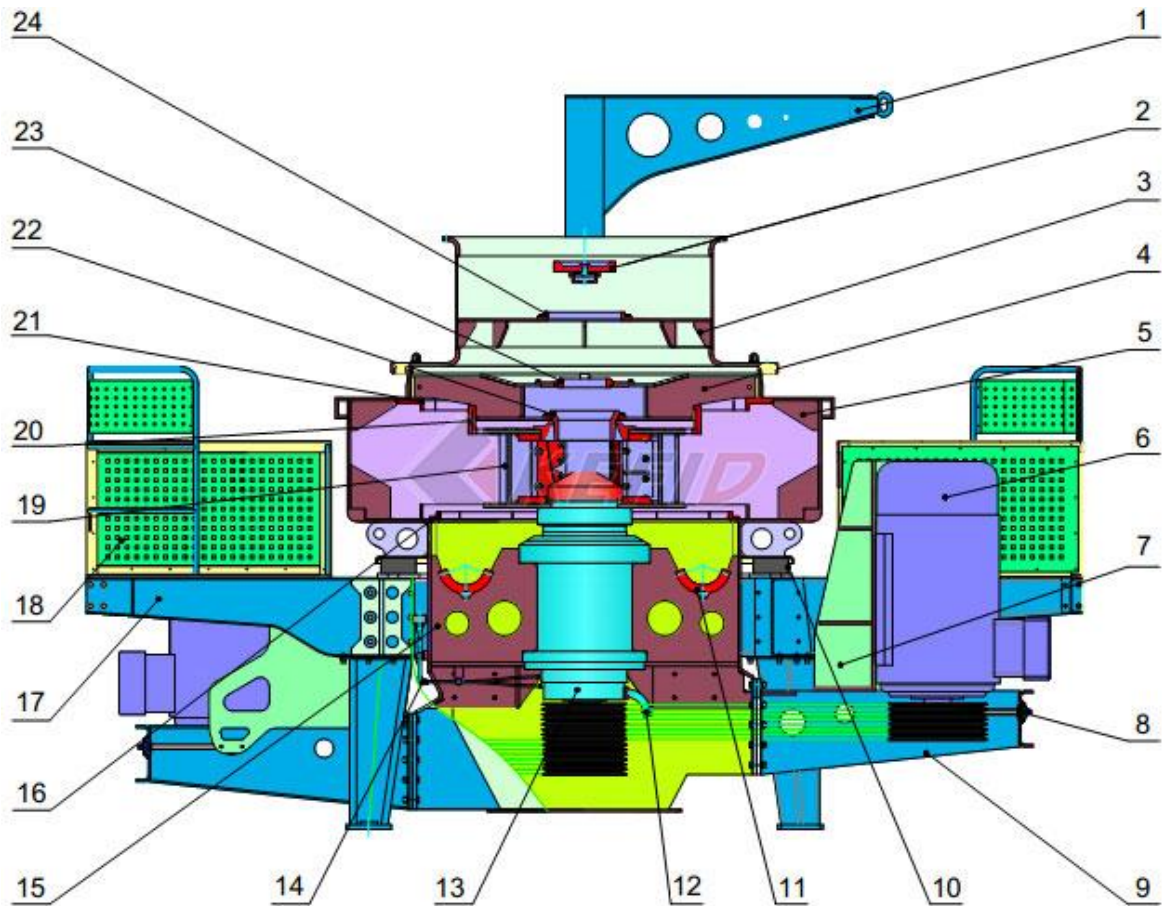
Expert on cubial shape stone creating the perfect shape

Characters of Mobile Vertical Shaft Impact Crushing Plant:High capacity, suitable for fine crushing, shape adjusting easily,high performance, flexible, integral crushing & screening and belt conveyor self-loaded.

Extended functions

Interchange system of screening unit and crushing unit: A vehicle frame issuitable for 4 plant models and equipped with interchange system for screening unit and crushing unit. The customers just need to re-purchase the main equipment, then they can totally achieve the interchange on one body frame, between the different screening unitsand crushing units. The perfect matching between different parts of one plant adapts to a wider scope of application. With a more comprehensive crushing function, the customers get the maximum use of our products.





- | | |
|--------------------------|--------------------------------|
| 1- lifting cantilever | 13- Bearing cylinder assembly |
| 2- spread dish | 14-ventilation,blasting device |
| 3-feeding hopper | 15- lower frame body |
| 4- Hanging device | 16-Protect ring |
| 5-crushing cavity | 17- Brackets assemblies |
| 6- motor | 18- tread plate frame |
| 7- motor bracket | 19- rotor assembly |
| 8- V-belt tension device | 20- Hanging device liner |
| 9-motor bracket | 21-Upper impact plate |
| 10- damping spring | 22- feeding pipe |
| 11- body base liner | 23- adjusting feeding device |
| 12-return oil connector | 24- chute ring |

Technical Parameters of VSI6S vertical shaft impact crusher

Model		VSI6S1263	VSI6S1150
all central feed(t/h)	Sand making	454-486	344-368
	reshaping	545-583	413-442
Max feeding size (mm)	Sand making	≤50	≤45
	reshaping	≤60	≤55
Rotation speed(r/min)		900-1200	1000-1300
Double motor(kW)		630	500
Dimension(L*W*H) (mm)		5700X2980X4190	5500X2750X3950
Weight(t)	rock on rock	20	17.6
	rock on steel	23	20
power		Voltage (V) : AC380、480、440、415、400 Frequency (Hz) : 0、60	
thin oil lubrication station	Flow capacity (L/min)	4-16	
	Motor power(kW)	0.75	
	Heater power(kW)	4	
	Safety protection	Stop automatically without oil flow; wind cooling system; Heater system in winter	

Note: Any change of VSI6S vertical shaft impact crusher technical data shall not be advised additionally.





The Strength of Kefid

Kefid Machinery is a leading and pioneering enterprise with the most advanced international level in R&D, manufacturing and selling of large-scale crushing & screening plants and beneficiation plants. Located in a historic city and transportation hub in central China-Zhengzhou, covering 140 thousand square meters, Kefid has Shangjie and High-tech zone two production bases. Shangjie Zone which covers 80,000 square meters has three heavy-duty and modern integrated assembling workshops--occupying 50,000 square meters; High-tech zone has 22 floors R&D Management laboratory building with 26,000 square meters, comprehensive equipments exhibition hall with 5,100 square meters, heavy-duty and modern integrated assembling workshop with 10,000 square meters, and also has the industry's most advanced machining workshop 20,000 square meters, and hundred sets of advanced large-scale vertical lathe, fixed lathe, planner, boring lathe, grinder and milling machines.



SERVICE-With Me- Enjoy your pleasant journey

Your profit is our greatest concern and your praise is the biggest compliment that we diligently strive for. Our aim is, with the core of service, tailored for you the most valuable products with comprehensive pre-sale, sale and after sale service.



Tel: 0086-371-67999255

Email: Sales@kefid.com

SPARE PARTS

Vertical shaft impact crusher



Feeding pipe



Dispensing Cone



Bearing cylinder



Host bearing



The bushing ring of hopper

Sand-making Equipment



Circum Guard plate



Impact Plate



Impact Block



Hammer



wearproof Plate

Crushing Plant



Rotor Assembly



Liner Board



Hammer Bar



Wedge



Impact Plate

PRODUCT LIST

Stationary Crushers

JC Series Jaw Crusher
Jaw Crusher
C6X Series Jaw Crusher
Primary Impact Crusher
CI5X Series Impact Crusher
Impact Crusher
CS Cone Crusher
Spring Cone Crusher
HPT Cone Crusher
Deep Rotor VSI Crusher
B Series VSI Crusher
VSI6S vertical shaft impact crusher

VU System Equipment

Dry Sand Making System
Dry-Mixed Mortar Sand Making Equipment
Concrete-Use Sand Making Equipment

Grinding Mills

Ultra Fine Vertical Grinding Mill
VM - Vertical Grinding Mill
European Tech. Grinding Mill
Micro Powder Mill
Raymond Mill
Ball Mill

Washing & Screening

F5X Heavy Vibrating Feeder
Screw Sand Washing Machine
Wheel Sand Washing Machine
Vibrating Feeder
Belt Conveyor

K series mobile plants

Primary mobile crushing plant
Mobile Secondary Crushing & Screening Plant
Independent Operating Combined Mobile Station
Fine crushing and screening mobile station
Fine crushing & washing mobile station
Three combinations mobile crushing plant
Four combinations mobile crushing plant

Crawler Mobile Crusher

Ore Beneficiation

Jaw Crusher
HPT Cone Crusher
Ball Mill
Rotary Kiln
Flotation Machine
High Gradient Magnetic Separator

Address: National HI-TECH Industry Development Zone.Zhengzhou,China.

Tel : 0086-371-67999255(24 Hour) / 67988500

Fax: 0086-371-67998980

Zip code: 450001

Email: sales@kefid.com

Web: <http://www.kefid.com>

